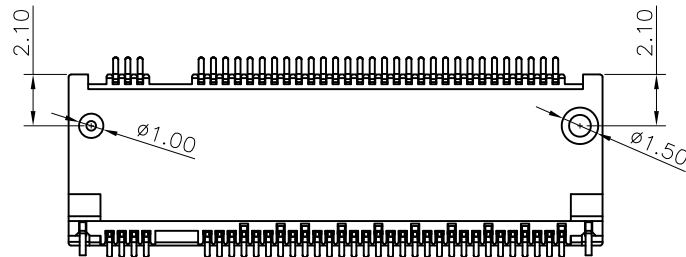
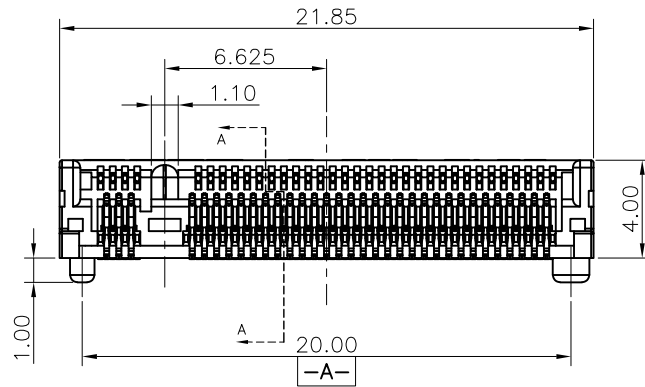
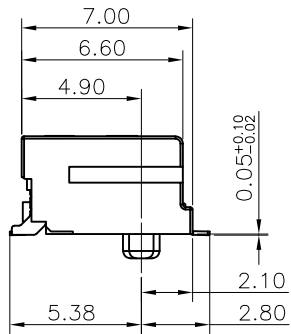
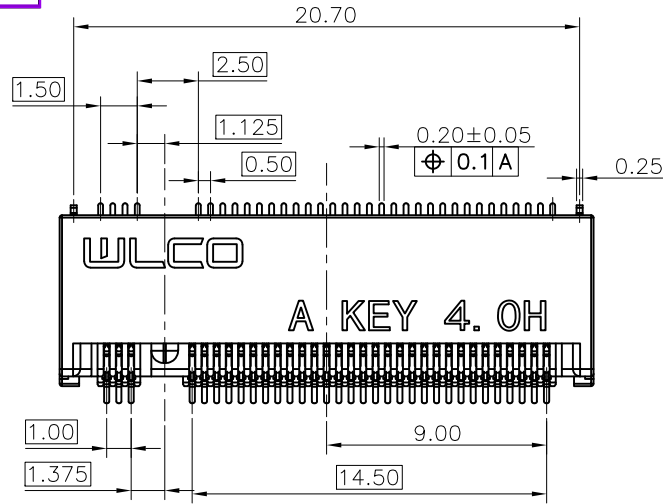


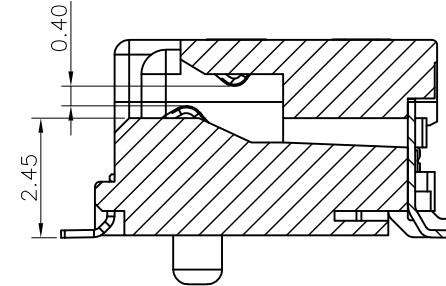
RoHS GP HF

REV.	ECN MARK	ECN NO.	DESCRIPTION	DRAWN	DATE
A	⊗	—	NEW	ZhuChao	2022/12/02



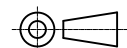
Notes:

- Ratings
 - Voltage Rating: 3.3V DC (Per pin);
 - Current Rating: 0.5A (Per pin);
 - Operating Temperature: -40°C ~ 80°C;
- Electrical Requirement:
 - LLCR: 55mΩ Max,(Initial), 20mΩ Max. change allowed(Final);
 - Dielectric Withstanding Voltage: 300V AC (RMS) for 1 minute;
 - Insulation Resistance: 500MΩ Min. @ 500V DC;
- Mechanical Requirement:
 - Insertion Force-25 N
 - Durability: 25 Cycles;
 - Vibration: No electrical discontinuity greater than 2m sec shall occur;
 - Mechanical Shock: 250G(Notebook) half sine / 6 axis
No electrical discontinuity greater than 2m sec shall occur;
- Recommended condition for SMT soldering:
Peak temperture shall be 260±5°C,duration 10±2 seconds.



SECTION A-A 2:1

3	HOOK	2PCS	COPPER ALLOY,MATTE TIN AND NICKEL PLATING OVER ALL		
2	CONTACT	67PIN	COPPER ALLOY,GOLD PLATING OVER ON CONTACT AREA		
1	HOUSING	1PCS	HIGH TEMPERATURE THERMOPLASTIC,UL94-V0		
ITEM	NAME	Q'TY	SPEC DESCRIPTION	REMARKS	
TOLERANCE		MODEL NAME:	M.2 KEY A 4.0H GEN4	DRAWN:	ZhuChao
X.X	±0.35	MODEL NO:	SEE TABLE	CHECKED:	Youhua Cai
X.XX	±0.25	UNIT:	SCALE:	REVISION:	SHEET:
X.XXX	±0.10	mm	1:1	A	1/2
ANGLE	±2.0'			DATE:	2022/12/02
		DWG NO: C-WLM2-67P05		FILE:	C



WLCO 深圳市兴万联电子有限公司
SHENZHEN XING WAN LIAN ELECTRONICS CO., LTD.

