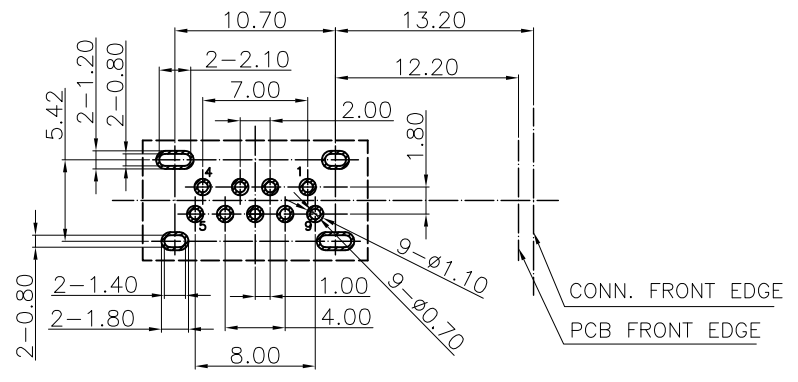
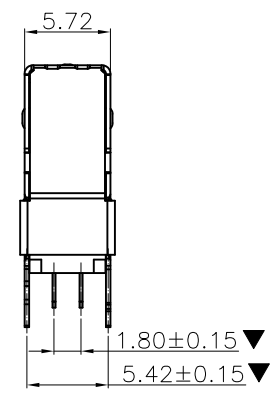
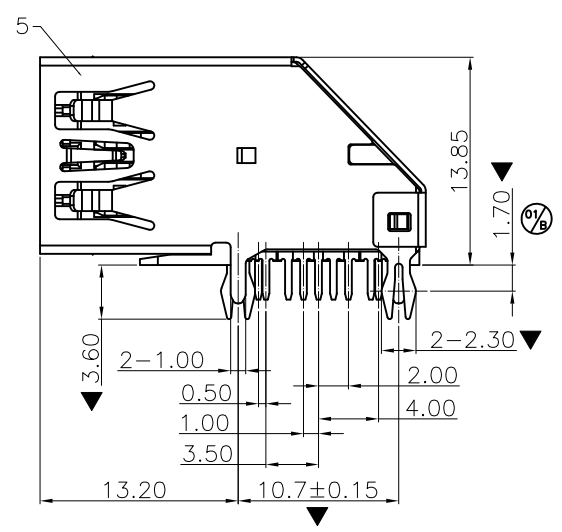
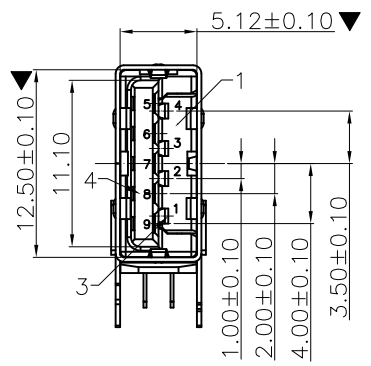
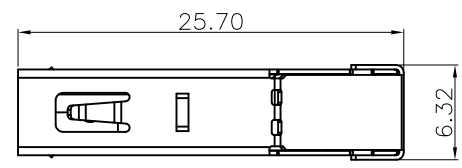
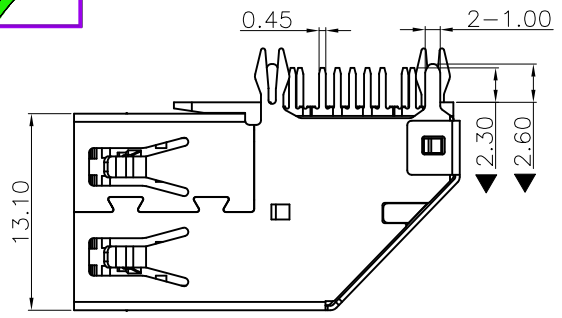


RoHS ✓ GP HD ✓

REV.	ECR/N NO.	DESCRIPTION	DRAWN	DATE
A	—	NEW	WuXiaoTao	2021/04/10
B	—	Adjust the highest dimension of the harpoons from 1.94mm to 1.70mm for meeting customer ^(01/B)	WuXiaoTao	2021/12/02



Recommended P.C.B Layout (Top View)
Thickness: 1.60mm Default Tol ±0.05

No.	PART NAME	QTY	MATERIAL	REMARK
5	SHELL	1	STAINLESS STEEL, T=0.30mm	Ni 50u" Min. Over All Area
4	5PIN_CONTACT	5	COPPER ALLOY	Au G/F Plated on Contact Area Matte Tin 80u" MIN. Plated on Solder Tails, Nickel 50u" MIN. Underplating Over All.
3	4PIN_CONTACT	4	COPPER ALLOY	Au G/F Plated on Contact Area Matte Tin 80u" MIN. Plated on Solder Tails, Nickel 50u" MIN. Underplating Over All.
2	5P_MOLDING	1	LCP	(UL 94V-0) BLUE
1	4P_MOLDING	1	LCP	(UL 94V-0) BLUE

TOLERANCE X.X ±0.35 X.XX ±0.25 X.XXX ±0.10 ANGLE ±1.0°	MODEL NAME: 单层USB3.1 A-TYPE 反向 LCP蓝胶 90度 侧插 无卷边半金剪锡G/F				DRAWN: WuXiaoTao
	MODEL NO: WLUS-595A				CHECKED: WuHuaMing
mm	UNIT:	SCALE:	REVISION:	SHEET	APPROVED: WuHuaMing
	1:1	B	1/1	DATE: 2021/12/02	
DWG NO: C-WLUS-595A	DWG NO: C-WLUS-595A				FILE: C
	DWG NO: C-WLUS-595A				FILE: C

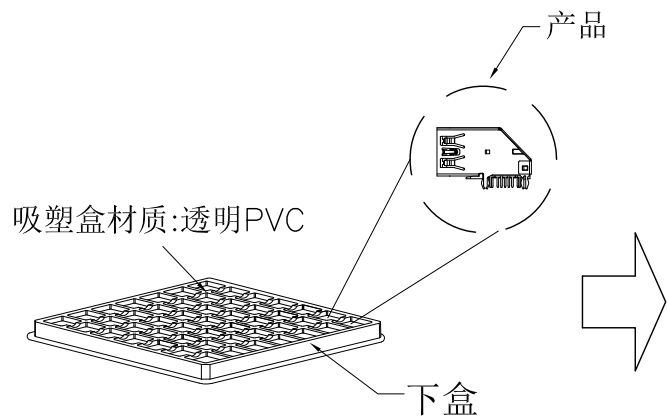
WALCO 深圳市兴万联电子有限公司
SHENZHEN XING WAN LIAN ELECTRONICS CO., LTD.

RoHS

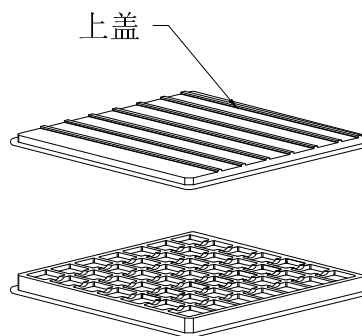
GP

HF

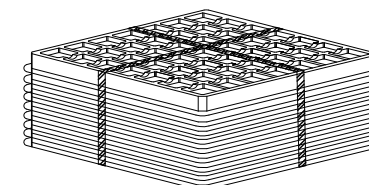
REV.	ECR/N NO.	DESCRIPTION	DRAWN	DATE
A	---	NEW	WuXiaoTao	2021/01/09



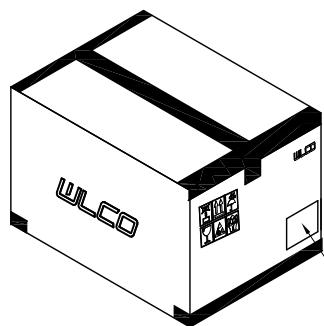
① 吸塑盒(1Set).100Pcs/盒



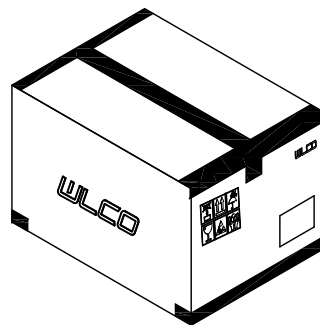
② 盖好上盖



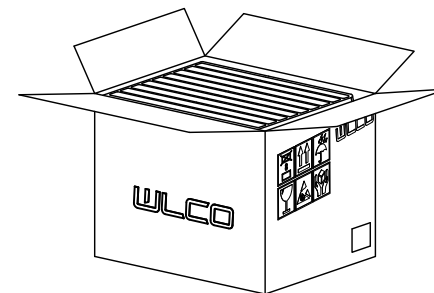
③ 每20盘用透明胶带绑紧/捆



⑥ 依图示粘贴产品其它标签.



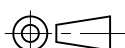

⑤ 外箱用透明胶纸带封“工”字型.



④ 每箱平放1捆产品,若尾数箱在空间处加装填充物. 一箱(2k).

备注:

1. PE真空盒1Set
2. 每盒装成品100Pcs,
3. 每箱装20盒,
4. 外箱尺寸与规格印刷: 详见包材图面;
5. 外箱用透明胶纸带封“工”字型;
6. 依外箱图示位置粘贴好产品或其它标签.
(若客户另有贴标签要求, 则按其定单注明之要求贴)

TOLERANCE X.X ±0.35 X.XX ±0.25 X.XXX ±0.10 ANGLE ±1.0°	MODEL NAME: 单层USB3.1 A-TYPE 反向 LCP蓝胶 90度 侧插 无卷边半金弯锡G/F				DRAWN: WuXiaoTao	
	MODEL NO: WLUS-595A				CHECKED: WuHuaMing	
	UNIT: mm	SCALE: 1:1	REVISION: A	SHEET: 1/1	APPROVED: WuHuaMing	
	DWG NO: P-WLUS-595A				DATE: 2021/01/09	
 深圳市兴万联电子有限公司 SHENZHEN XING WAN LIAN ELECTRONICS CO., LTD.				FILE: P		