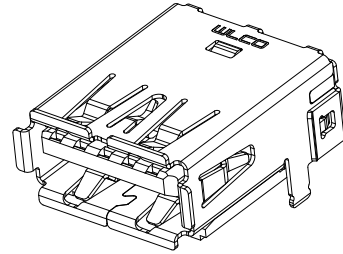
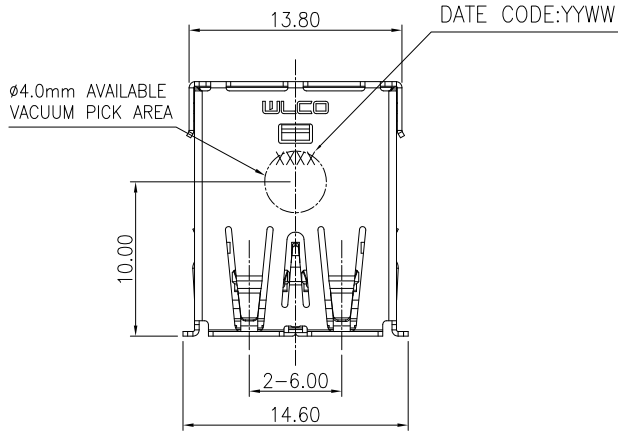


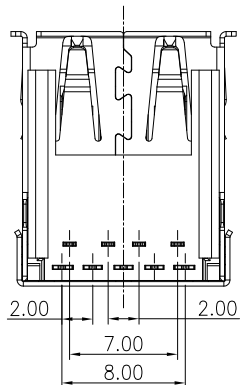
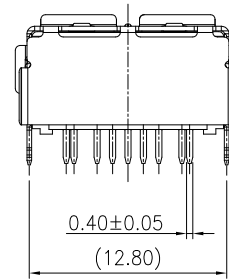
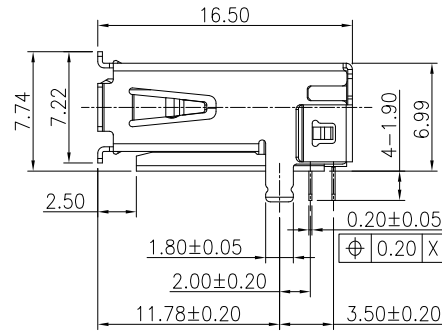
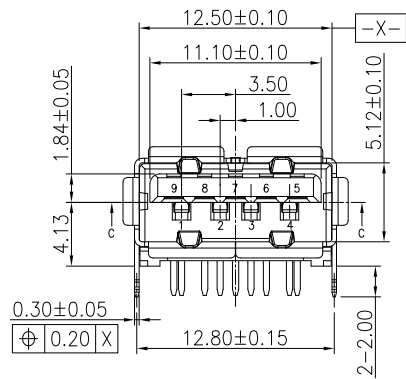
RoHS GP HF

REV.	ECR/N NO.	DESCRIPTION	DRAWN	DATE
A		NEW	WUXIAOTAO	2021/10/26



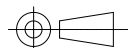
NOTE:

- MATERIAL:
 - HOUSING: PA9T+30%GF; UL94V-0; COLOR: BLUE;
 - COVER: PA9T+30%GF; UL94V-0; COLOR: BLUE;
 - 4PIN CONTACTS: C5210,T=0.20mm;
 - 5PIN CONTACTS: C2680,T=0.20mm;
 - SHELL: STAINLESS STEEL,T=0.30mm
- PLATING SPECIFICATION:
 - CONTACTS:
 - NI 50u" MIN. PLATED ON OVERALL.
 - G/F PLATED ON THE FUNCTIONAL ARER OF CONTACT.
 - MATTE Sn 80u" MIN. PLATED ON SOLDER AREA.
 - SHELL:
 - NI 50u" MIN. PLATED ON OVERALL.
- SPECIFICATION:
 - ELECTRICAL:
 - CONTACT CURRENT RATING: 1.8A FOR PIN1 & PIN4
 - 0.25A FOR OTHERS.
 - INSULATION RESISTANCE: 100MQ MIN.
 - CONTACT RESISTANCE: 30 mΩ MAX.
 - DIELECTRIC WITHSTANDING VOLTAGE: AC 500V FOR 1MINUTE
 - MECHANICAL:
 - INSULATION FORCE: 3.57Kgf MAX.
 - REMOVAL FORCE: 1.02Kgf MIN.,0.80Kgf MIN. AFTER DURABILITY
 - DURABILITY: 5000 CYCLES
- HF COMPLIANT.



Pin Assignments

Pin Number	Signal Name	Pin Number	Signal Name
1	VBUS	5	Stda_SSRX-
2	D-	6	Stda_SSRX+
3	D+	7	GND_DRAIN
4	GND	8	Stda_SSTX-
SHELL	Shield	9	Stda_SSTX+

TOLERANCE	MODEL NAME:	单层USB 3.1 A/F DIP 90° CR=99mm PA9T蓝胶 无卤环保 端子C5210 合金镀镍/针长1.9 SIS外壳 卷边 直径2.0 带后盖 带WLC0 喇叭C 载带包装			DRAWN:	WUXIAOTAO
X.X ±0.30	MODEL NO:	WLUS-591D			CHECKED:	WUHUAMING
X.XX ±0.25	UNIT:	SCALE:	REVISION:	SHEET	APPROVED:	WUHUAMING
X.XXX ±0.15	mm	1:1	A	1/2	DATE:	2021/10/26
ANGLE ±2.0°	 WLC0 深圳市兴万联电子有限公司 SHENZHEN XING WAN LIAN ELECTRONICS CO.,LTD.				DWG NO:	
					FILE:	C