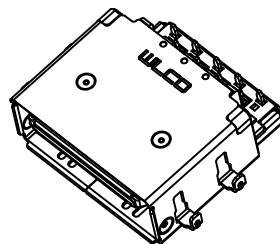
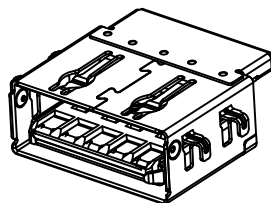
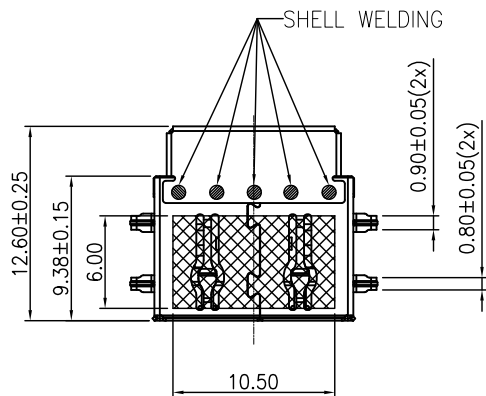


RoHS

GP

HF

REV.	ECR/N NO.	DESCRIPTION	DRAWN	DATE
A		NEW	DONGDONGPIN	2020/08/30



NOTE:

1. MATERIAL:

- 1-1. HOUSING: PA9T+30%GF; COLOR: BLACK;
- 1-2. CONTACTS: COPPER ALLOY,T=0.20mm;
- 1-3. UPPER SHELL: STAINLESS STEEL,T=0.15mm
- 1-4. SHELL: STAINLESS STEEL,T=0.20mm

2. PLATING SPECIFICATION:

2-1. CONTACTS:

NI 50u" MIN. PLATED ON OVERALL. GOLD FIASH PLATED ON THE FUNCTIONAL ARER OF CONTACT. MATTE Sn 80u" MIN. PLATED ON SOLDER AREA.

2-2. SHELL:

NI 50u" MIN. PLATED ON OVERALL.

3. SPECIFICATION:

3-1. ELECTRICAL:

CONTACT CURRENT RATING: 1.8A FOR PIN1 & PIN4
0.25A FOR OTHERS.

INSULATION RESISTANCE: 100MΩ MIN.

CONTACT RESISTANCE: 30 mΩ MAX.

DIELECTRIC WITHSTANDING VOLTAGE: AC 100V FOR 1MINUTE

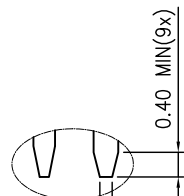
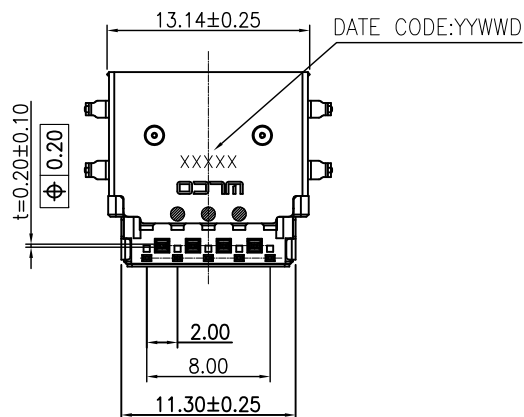
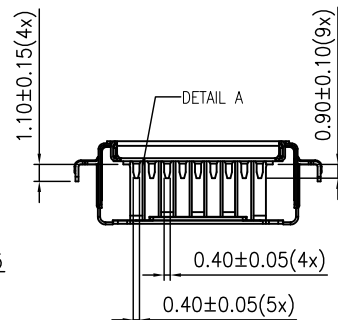
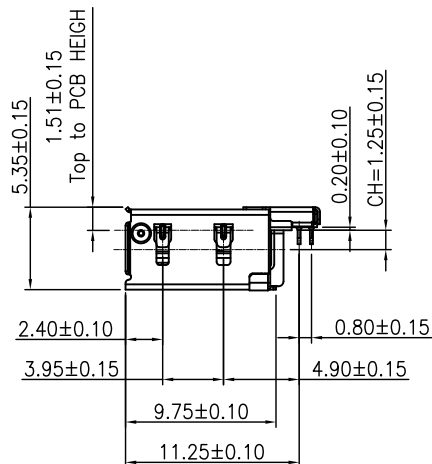
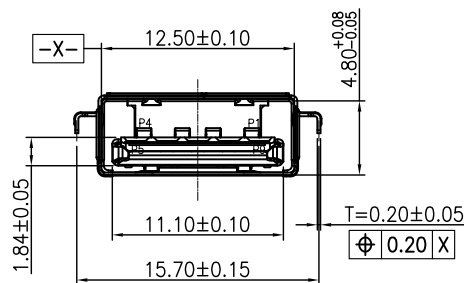
3-2. MECHANICAL:

INSULATION FORCE: 6N~20N

REMOVAL FORCE: 8N~20N., 6N~20N AFTER DURABILITY

DURABILITY: 5000 CYCLES

4. HF COMPLIANT.



0.20 MAX(9x)

DETAIL A
SCALE 4:1

Pin Assignments

Pin Number	Signal Name	Pin Number	Signal Name
1	VBUS	5	Stda_SSRX-
2	D-	6	Stda_SSRX+
3	D+	7	GND_DRAIN
4	GND	8	Stda_SSTX-
SHELL	Shield	9	Stda_SSTX+

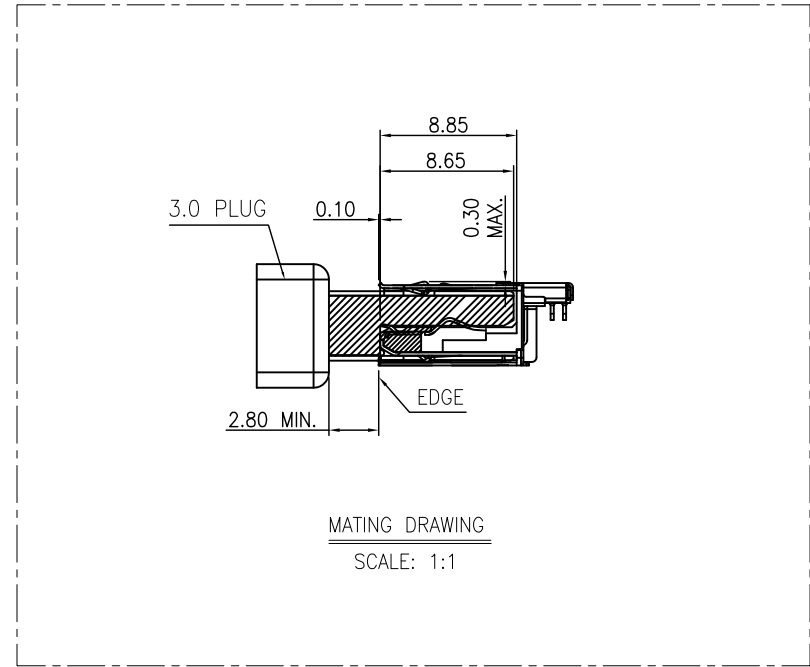
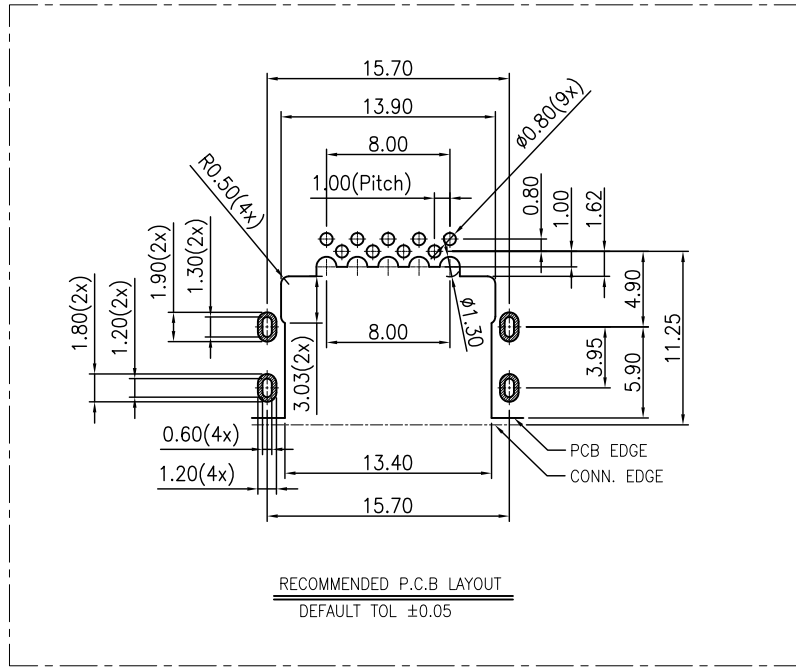
TOLERANCE	MODEL NAME:	单同轴 3.1 A/F 后向型 CH=1.25 P/BT 漆胶 无铅环保 端子合金镀层/P 料长0.90 外壳不锈钢 带LED 螺D.C 载带包装			DRAWN:	DONGDONGPIN
X.X ±0.30	MODEL NO:	WLUS-567A			CHECKED:	CHENYONGHUA
X.XX ±0.25	UNIT:	SCALE:	REVISION:	SHEET	APPROVED:	WUHUAMING
X.XXX ±0.15	mm	1:1	A	1/2	DATE:	2020/08/30
ANGLE ±2.0°	 WALCO 深圳市兴万联电子有限公司 SHENZHEN XING WAN LIAN ELECTRONICS CO., LTD.				DWG NO:	
					FILE:	C

RoHS

GP

HF

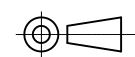
REV.	ECR/N NO.	DESCRIPTION	DRAWN	DATE
A		NEW	DONGDONGPIN	2020/08/30



Pin Assignments

Pin Number	Signal Name	Pin Number	Signal Name
1	VBUS	5	Stda_SSRX-
2	D-	6	Stda_SSRX+
3	D+	7	GND_DRAIN
4	GND	8	Stda_SSTX-
SHELL	Shield	9	Stda_SSTX+

TOLERANCE	MODEL NAME: 单面S8 3.1 A/F 反向型 CH=1.25 P/BT 薄胶 无铅环保 端子半金镀6/P 针长0.90 外壳不锈钢 带KLOO 螺D.C 载带包装	DRAWN:	DONGDONGPIN
X.X ±0.30	MODEL NO: WLUS-567A	CHECKED:	CHENYONGHUA
X.XX ±0.25	UNIT: mm	APPROVED:	WUHUAMING
X.XXX ±0.15	SCALE: 1:1	DATE:	2020/08/30
ANGLE ±2.0°	REVISION: A	DWG NO:	
	SHEET: 2/2	FILE:	C



WLCO 深圳市兴万联电子有限公司 SHENZHEN XING WAN LIAN ELECTRONICS CO., LTD.