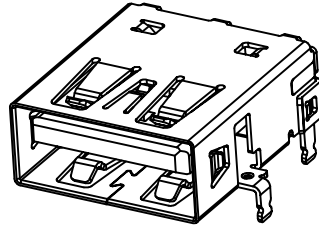
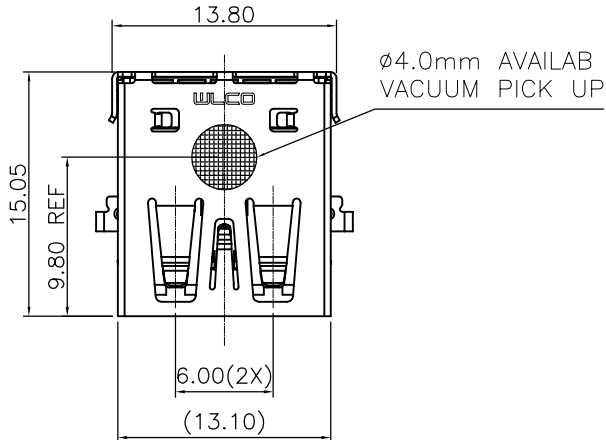


RoHS GP HF

REV.	ECR/N NO.	DESCRIPTION	DRAWN	DATE
A	/	NEW	WUXIAOTAO	2021/06/11



NOTE:

1. MATERIAL:

- 1-1. HOUSING: HIGH TEMPERATURE PLASTIC; COLOR: BLACK;
- 1-2. COVER: HIGH TEMPERATURE PLASTIC; COLOR: BLACK;
- 1-3. 4PIN CONTACTS: COPPER ALLOY,T=0.20mm;
- 1-4. 5PIN CONTACTS: COPPER ALLOY,T=0.20mm;
- 1-5. SHELL: STAINLESS STEEL,T=0.30mm

2. PLATING SPECIFICATION:

2-1. CONTACTS:

NI 50u" MIN. PLATED ON OVERALL. GOLD FLASH. PLATED ON THE FUNCTIONAL ARER OF CONTACT. MATTE Sn 80u" MIN. PLATED ON SOLDER AREA.

2-2. SHELL:

NI 50u" MIN. PLATED ON OVERALL.

3. SPECIFICATION:

3-1. ELECTRICAL:

CONTACT CURRENT RATING: 1.8A FOR PIN1 & PIN4
0.25A FOR OTHERS.

INSULATION RESISTANCE: 100MΩ MIN.

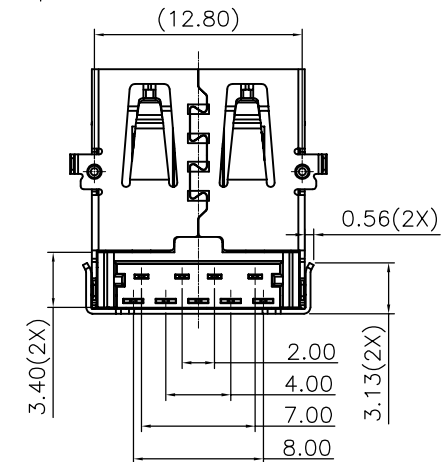
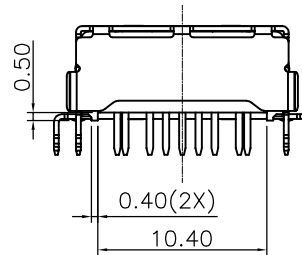
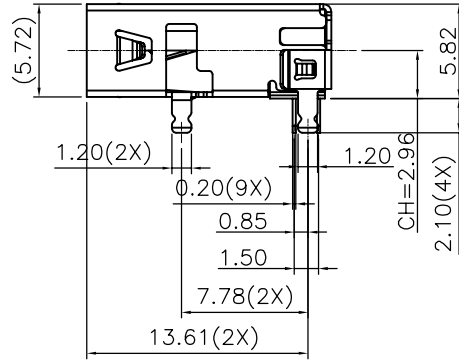
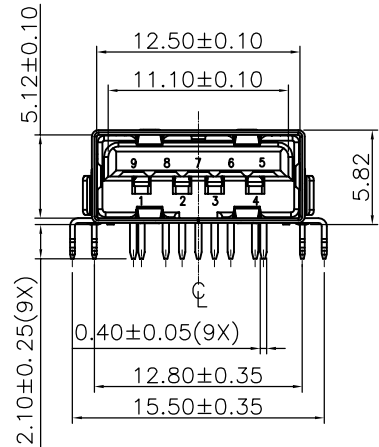
CONTACT RESISTANCE: 30 mΩ MAX.

DIELECTRIC WITHSTANDING VOLTAGE: AC 100V FOR 1MINUTE

3-2. MECHANICAL:

INSULATION FORCE: 3.57Kgf MAX.

REMOVAL FORCE: 1.02Kgf MIN.,0.80Kgf MIN. AFTER DURABILITY
DURABILITY: 5000 CYCLES



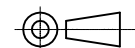
Pin Assignments

Pin Number	Signal Name	Pin Number	Signal Name
1	VBUS	5	Stda_SSRX-
2	D-	6	Stda_SSRX+
3	D+	7	GND_DRAIN
4	GND	8	Stda_SSTX-
SHELL	Shield	9	Stda_SSTX+

TABLE

PART NO.	MATERIAL COLOR
WLUS-524A	PA9T BLUE
WLUS-524B	PA9T BLACK

TOLERANCE	MODEL NAME: 单层USB 3.0 A-TYPE 90度PA9T RoHS环保 外壳 不锈钢四脚插板无卷边 廿5.82 带LOGO 载带包装	DRAWN: WUXIAOTAO
X.X ±0.35	MODEL NO: WLUS-524A	CHECKED: WUHUAMING
X.XX ±0.25	UNIT: mm	APPROVED: WUHUAMING
X.XXX ±0.10	SCALE: 1:1	DATE: 2021/06/11
ANGLE ±2.0°	REVISION: A	DWG NO:
	SHEET: 1/2	FILE: C



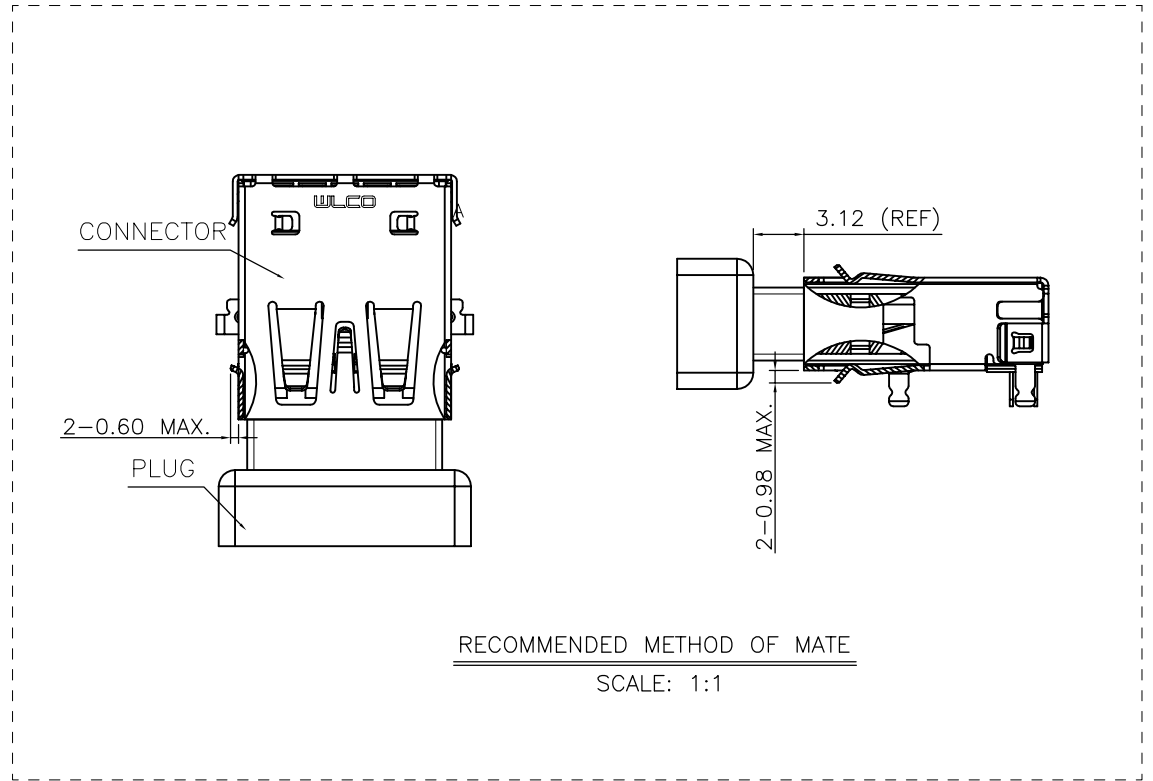
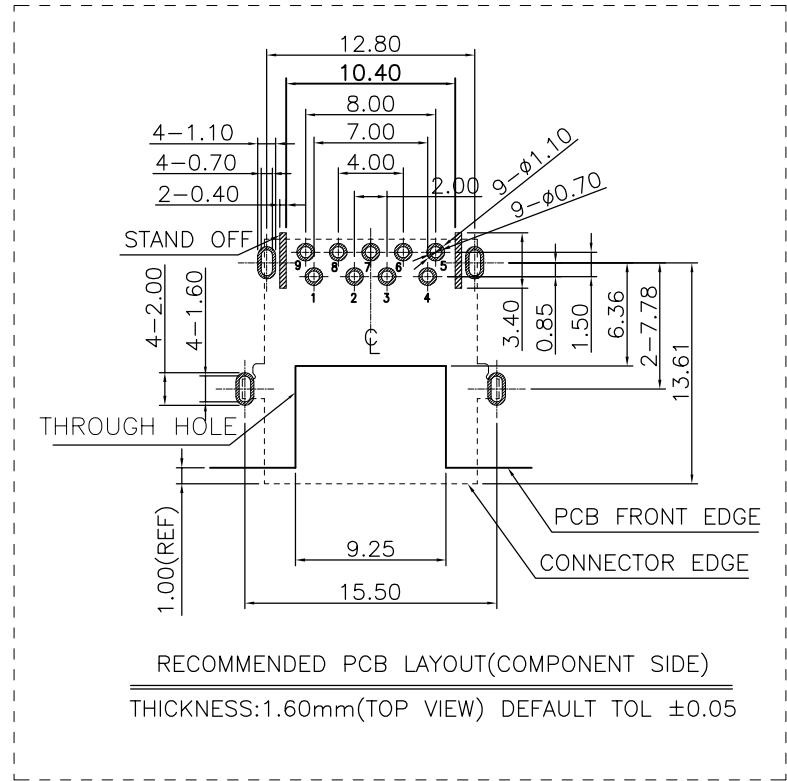
WLCO 深圳市兴万联电子有限公司
SHENZHEN XING WAN LIAN ELECTRONICS CO.,LTD.

RoHS

GP

HF

REV.	ECR/N NO.	DESCRIPTION	DRAWN	DATE
A	/	NEW	WUXIAOTAO	2021/06/11



Pin Assignments

Pin Number	Signal Name	Pin Number	Signal Name
1	VBUS	5	StdA_SSRX-
2	D-	6	StdA_SSRX+
3	D+	7	GND_DRAIN
4	GND	8	StdA_SSTX-
SHELL	Shield	9	StdA_SSTX+

TOLERANCE X.X ±0.35 X.XX ±0.25 X.XXX ±0.10 ANGLE ±2.0°	MODEL NAME: 单层USB 3.0 A-TYPE 90度PA8T RoHS环保 外壳 不锈钢四脚插板无卷边 H=5.82 带LOGO 载带包装				DRAWN: WUXIAOTAO	
	MODEL NO: WLUS-524A				CHECKED: WUHUAMING	
	UNIT:	SCALE:	REVISION:	SHEET	APPROVED: WUHUAMING	
	mm	1:1	A	2/2	DATE: 2021/06/11	
 WLCO 深圳市兴万联电子有限公司 SHENZHEN XING WAN LIAN ELECTRONICS CO.,LTD.				DWG NO:		
				FILE: C		