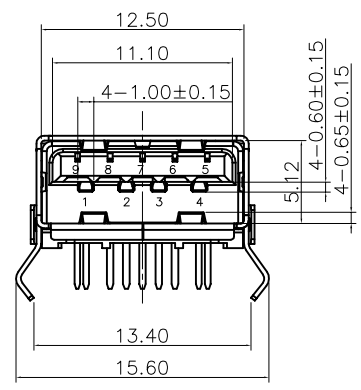
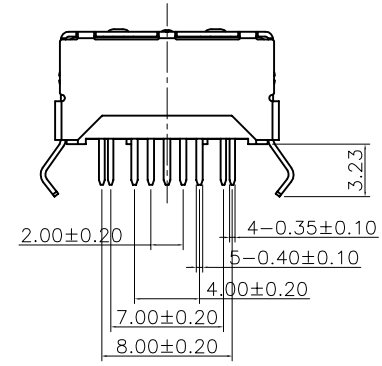
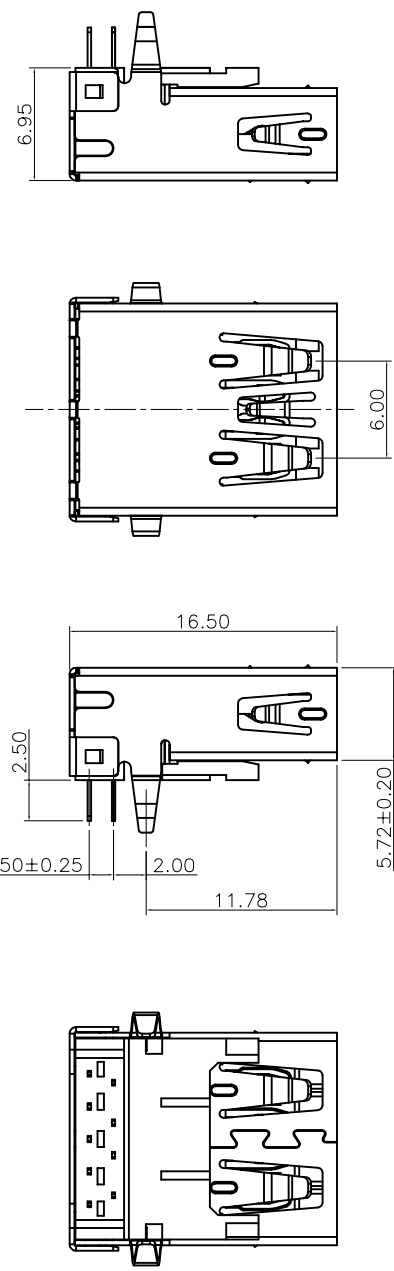


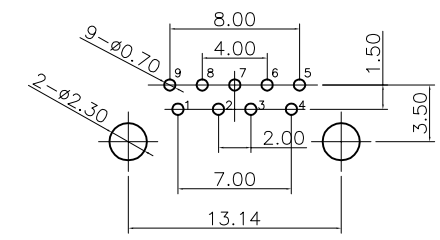
RoHS GP HF

Mark	ECN NO.	DESCRIPTION	DESIGN	Date:
A	—	NEW	—	—



NOTE:

- Material:
 - Housing: PBT,UL94V-0; Color: Blue
 - Contact: C5191,T=0.20±0.02mm
 - Shell: SUS304,T=0.30±0.02mm
- FINISH:
 - Contact: Au G/F ON CONTACT AREA, TIN 100u"PLATED ON SOLDER AREA, NI 50u"UNDERPLATED OVERALL.
 - Shell: NI 80u" PLATED.
- Specification:
 - Electrical:
 - Contact Current Rating: 1.8A For PIN1&PIN4
0.25A For Others.
 - Insulation Resistance: 1000MΩ Min.
 - Contact Resistance: 30 mΩ Max.
 - Dielectric Withstanding Voltage: 500V/AC 1Minute
 - Mechanical:
 - Mating Force: 3.57Kgf Max.
 - Unmating Force: 1.0Kgf Min.



ITEM	PART NAME	Material	Q'TY	REMARK
1	Housing	PBT	1	Blue UL94V-0
2	COVER	PBT	1	Blue UL94V-0
3	Contact	C5191	9	Plating Au G/F/Tin
4	Shell	SUS	1	Plating Ni

Tolerance	Model Name: 单层USB A-TYPE 3.0 蓝胶 端子半金G.F 针长2.5 SUS304壳窗口直边 螃蟹脚 环保				Drawing:	DENGJU
X.X ±0.30	Model No: WLUS-142B				Checked:	YAOSHIXUAN
X.XX ±0.25	UNIT:	SCALE:	REVISION:	SHEET	Approved:	WUHUAMING
X.XXX ±0.15	mm	FULL	A	1/1	Date:	2018.12.15
Angle ±2.0°	WLCO 深圳市兴万联电子有限公司 SHENZHEN XINGWANLIAN TECHNOLOGY CO,LTD				DWG NO.	
					FILE:	C