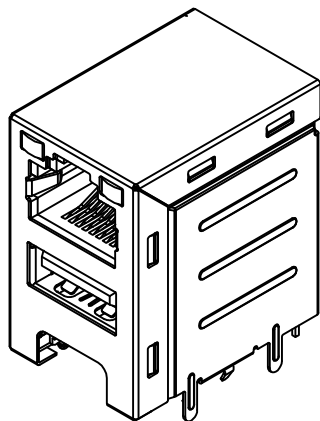
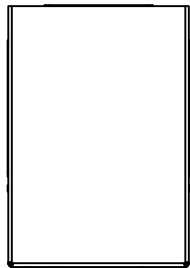


RoHS GP HF

REV.	ECR/N NO.	DESCRIPTION	DRAWN	DATE
A	/	NEW	DENGJU	2021/10/26



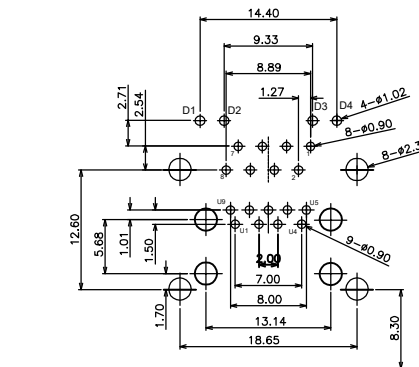
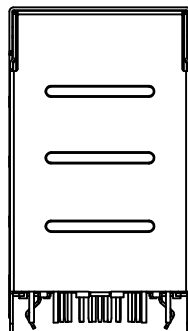
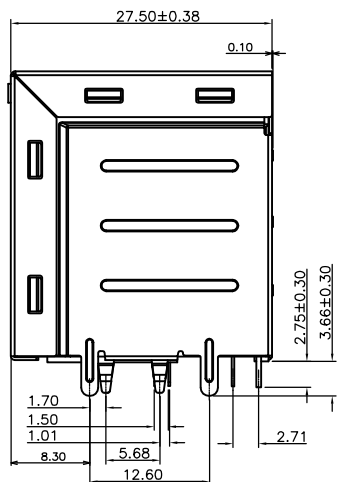
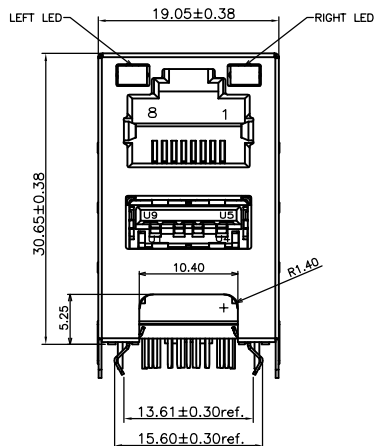
NOTES:

1.RJ45 MATERIAL:

- 1.1 HOUSING: HIGH TEMPERATURE .THERMOPLASTICS.BK.UL94 V-0.
- 1.2 CONTACT: COPPER ALLOY. GOLD FLASH PLATING ON CONTACT AREA.
50U" MIN. NICKEL UNDERPLATING OVER ALL.
- 1.3 SHELL: SUS201 THICKNESS=0.25mm. NICKEL PLATING OR PRE-SOLDERING .
- 1.4. ELCTRICAL SPECIFICATION:
VOLTAGE CURRENT RATING: 1.5 AMP. 30V AC.
INSULATION RESISTANCE: 1000MΩ MIN.
CONTACT RESISTANCE: 40 mΩ MAX.
DIELECTRIC WITHSTANDING VOLTAGE: 500V DC.
DURABILITY: 750 CYCLES.

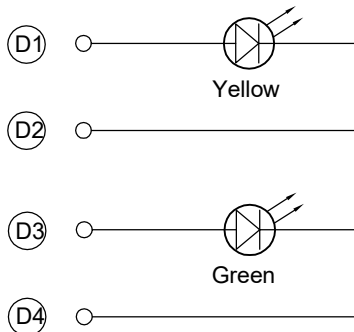
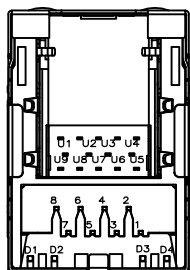
2.OPERATING TEMPERATURE RANGE: -20°C to +75°C.

3.STORAGE TEMPERATURE RANGE: 0°C to +70°C.



PRODUCT LOCATION PROFILE

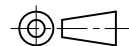
RECOMMENDED P.C.B. PATTERN LAYOUT
TOP VIEW (ALL TOLERANCE ARE:0.05mm)



LEFT LED

LEFT LED

TOLERANCE	MODEL NAME: RJ45+USB 3.0 TYPE C 带灯左黄右绿 SUS201外壳 端子半金锡GOLD FLASH	DRAWN: DENGJU
X.X ±0.35	MODEL NO: WLRJ-410A	CHECKED: WUXIAOTAD
X.XX ±0.25	UNIT: mm	APPROVED: WUHUAMING
X.XXX ±0.10	SCALE: 1:1	DATE: 2021/10/26
ANGLE ±2.0°	REVISION: A	DWG NO:
	SHEET 1/1	FILE: C
	SHENZHEN XING WAN LIAN ELECTRONICS CO., LTD.	



WLCO 深圳市兴万联电子有限公司
SHENZHEN XING WAN LIAN ELECTRONICS CO., LTD.