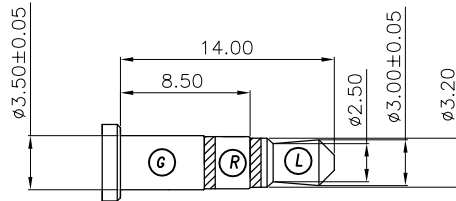
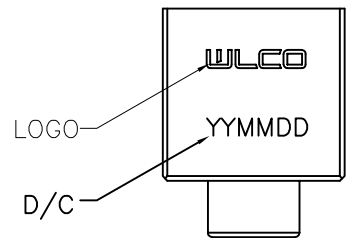


RoHS GP HF

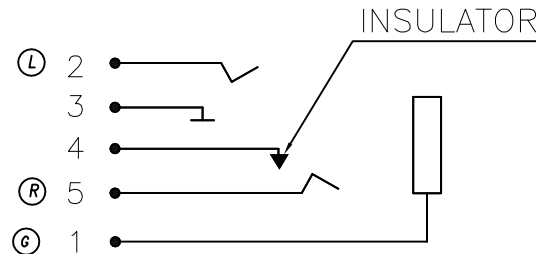
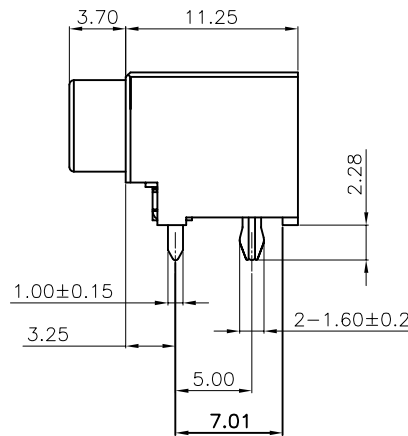
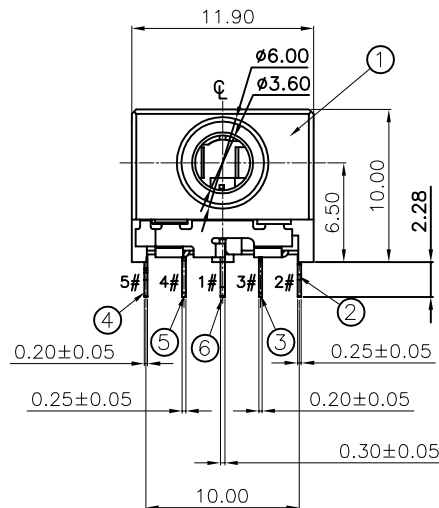
REV.	ECR/N NO.	DESCRIPTION	DRAWN	DATE
A	/	NEW	DENGJU	2021/01/07
B	/	更新焊盘隔离区尺寸	DENGJU	2021/07/26



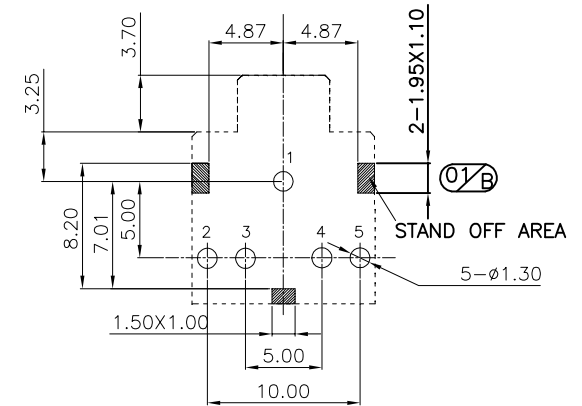
3.5mm 3-POLE RECOMMENDED PLUG

NOTES:


- ELECTRICAL CHARACTERISTICS:
CURRENT RATING: 1.0A.
INSULATION RESISTANCE: 100MΩ Min.
CONTACT RESISTANCE: 30mΩ Max(INITIAL).
50mΩ Max(AFTER LIFE TEST).
DIELECTRIC WITHSTANDING VOLTAGE: 500V/AC 1MINUTE.
- MECHANICAL CHARACTERISTICS:
MATING AND UNMATING FORCE: 0.3~3.0Kg(INITIAL).
0.3~3.0Kg(AFTER LIFE TEST).
DURABILITY: 5000 CYCLES.
- ENVIRONMENTAL CHARACTERISTICS:
STORAGE TEMPERATURE: -40°C TO +85°C.
OPERATION TEMPERATURE: -20°C TO +70°C.



CIRCUIT SCHEMATIC



PCB LAYOUT (TOP VIEW)
TOLERANCE: ±0.05mm

⑥	CONTACT 1#	C5191	TIN PLATED ALL & NI PLATED UNDER	1	TOLERANCE X.X ±0.35 X.XX ±0.25 X.XXX ±0.10 ANGLE ±2.0°	MODEL NAME: 3.5mm耳机座 3PORT 5PIN CH=6.5 PA66黑色 针长2.28 带"WILCO" LOGO D/C激光 吸塑包装 RoHS环保				DRAWN: DENGJU				
⑤	CONTACT 4#	C5191	G/F PLATED ALL & NI PLATED UNDER	1						MODEL NO: WLPN-129B		CHECKED: XIAOTAO.WU		
④	CONTACT 5#	C5191		1						UNIT: mm	SCALE: 1:1	REVISION: B	SHEET: 1/1	APPROVED: HUAMING.WU
③	CONTACT 2#	C5191		1						DATE: 2021/07/26				
②	CONTACT 3#	C5191		1						DWG NO:				
①	HOUSING	PA66+30%G/F UL94V-0	BLACK	1	 深圳市兴万联电子有限公司 SHENZHEN XING WAN LIAN ELECTRONICS CO.,LTD.				FILE: C					
ITEM	NAME	MATERIAL	FINISH	SUM										