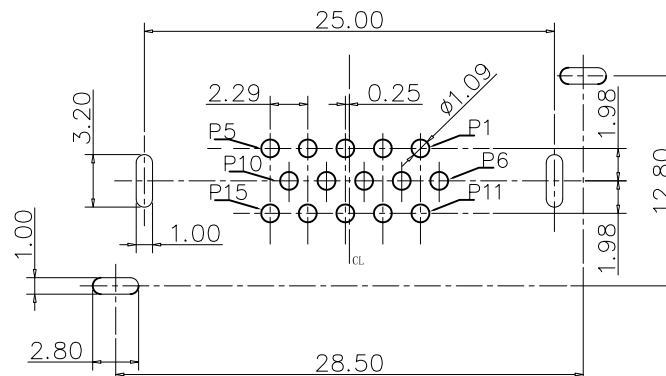
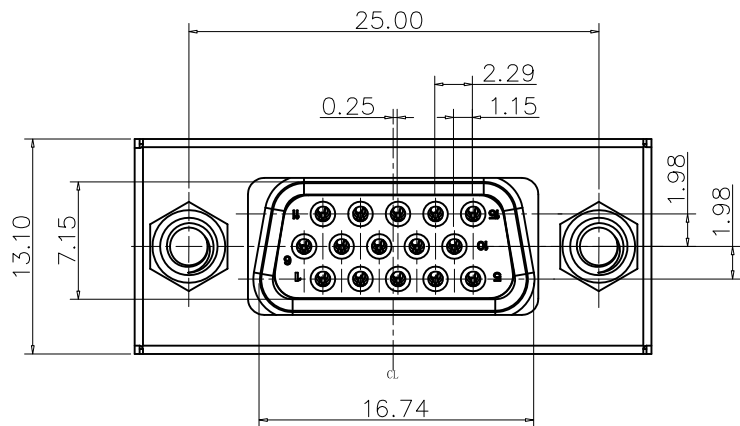
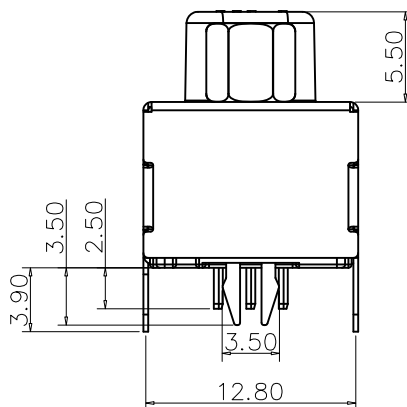
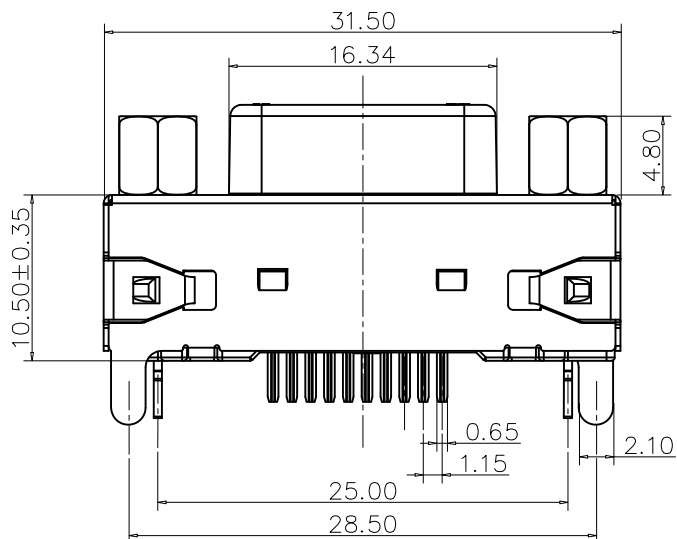


RoHS GP HF

REV.	ECR/N NO.	DESCRIPTION	DRAWN	DATE
A	/	NEW	CHENGMINGKANG	2021/01/13



RECOMMENDED PCB LAYOUT(TOP VIEW)  
DEFAULT TOLERANCE ±0.05



NOTES:

1.Material:

- 1.1 Housing:PBT Colour: Black
- 1.2 Cover:PBT Colour: Black
- 1.3 Contact:COPPER ALLOY T=0.20±0.02mm
- 1.4 Screw:1215MS
- 1.5 Shell: SPCC T=0.35±0.02mm
- 1.6 Boardlock: SPCC T=0.50±0.02mm
- 1.7 Shield Shell: SUS430 T=0.30mm±0.01mm

2.PLATING:

- Contact: UNDER PLATED 50U"MIN NICKEL OVER ALL 50U"MIN TIN IN SOLDERING AREA OR CONTACT AREA
- Screw: UNDER PLATED 50U"MIN CU OVERALL 50U" MIN NICKEL
- Shell: UNDER PLATED 50U"MIN Cu OVERALL 80U" MIN NICKEL
- Boardlock: UNDER PLATED 50U"MIN CU UNDER PLATED 50U" MIN NICKEL OVERALL 80U" MIN TIN IN SOLDERING AREA
- Shield Shell: UNDER PLATED 50U"MIN NICKEL

TOLERANCE	MODEL NAME: HDC 15号180度 DIP 端子全锡 独立外壳带屏蔽全包 直锁4.8 螺丝 3.5鱼叉 高10.5 PBT黑胶	DRAWN: CHENGMINGKANG		
X.X ±0.35	MODEL NO: WLHK-081A	CHECKED: WUXIAOTAO		
X.XX ±0.25	UNIT:	SCALE:	REVISION:	SHEET
X.XXX ±0.10	mm	1:1	A	1/1
ANGLE ±1.0°	DATE: 2021/01/13			APPROVED: WUHUAMING
	DWG NO:			FILE: C
	深圳市兴万联电子有限公司 SHENZHEN XING WAN LIAN ELECTRONICS CO., LTD.			