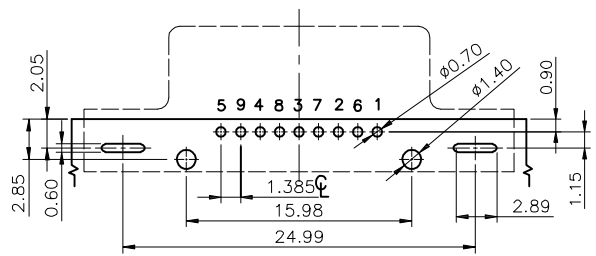
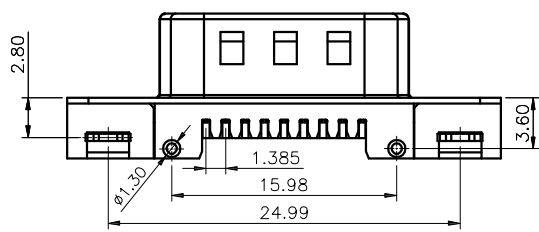
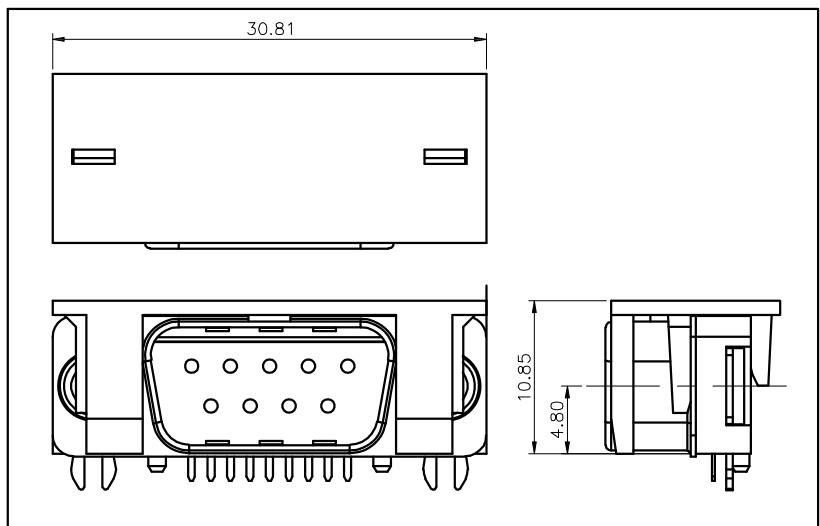
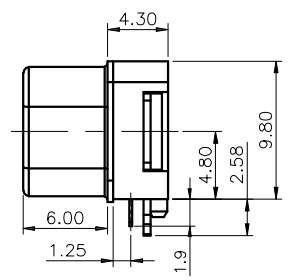
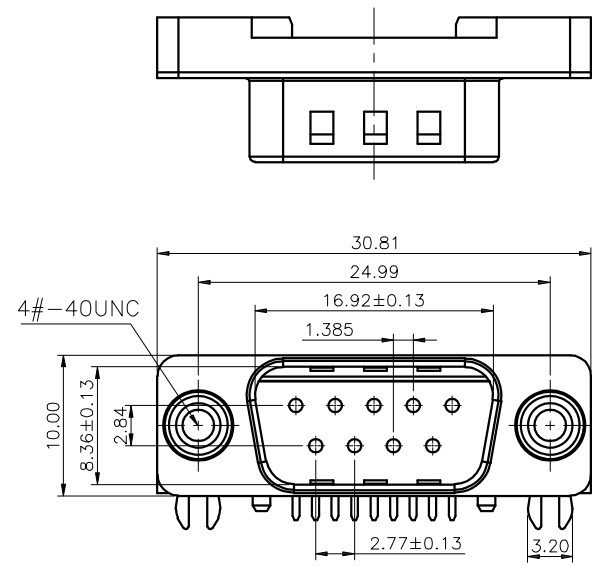


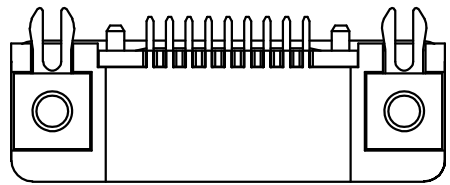
RoHS GP HF

REV.	ECR/N NO.	DESCRIPTION	DRAWN	DATE
A	/	NEW	YAOSHIXUAN	2020/08/14



**RECOMMENDED P.C.B. LAYOUT**  
TOLERANCE: ±0.05

- NOTES**
- MATERIAL:**  
Housing:LCP, UL 94V-0, Color:Black.  
Terminal:Brass(2680).  
Shell:SPCC.  
Boardlock:Brass(2680).  
Rivet:Brass(C3604).
  - FINISH:**  
Terminal: Gold Flash ON THE CONTACT AREA,  
100u"MIN MATTE-TIN PLATING ON SOLDER TAIL AREA,  
50u"MIN. NICKEL UNDERPLATING OVERALL.  
Shell:50u"MIN NICKEL PLATING  
Boardlock:100u" MIN.TIN PLATED OVER  
50u" MIN.NICKEL UNDERPLATED OVERALL  
Rivet:50u"MIN NICKEL PLATING



TOLERANCE	MODEL NAME: Slim 9公单排铆合沉板式 CH=4.80	DRAWN: YAOSHIXUAN
X.X ±0.35	MODEL NO: WLDR-242A	CHECKED: WUHUAMING
X.XX ±0.25	UNIT: mm	APPROVED: WUHUAMING
X.XXX ±0.10	SCALE: 1:1	DATE: 2020/08/14
ANGLE ±2.0°	REVISION: A	DWG NO:
	SHEET: 1/1	FILE: C
	 <b>WALCO</b> 深圳市兴万联电子有限公司 SHENZHEN XING WAN LIAN ELECTRONICS CO., LTD.	