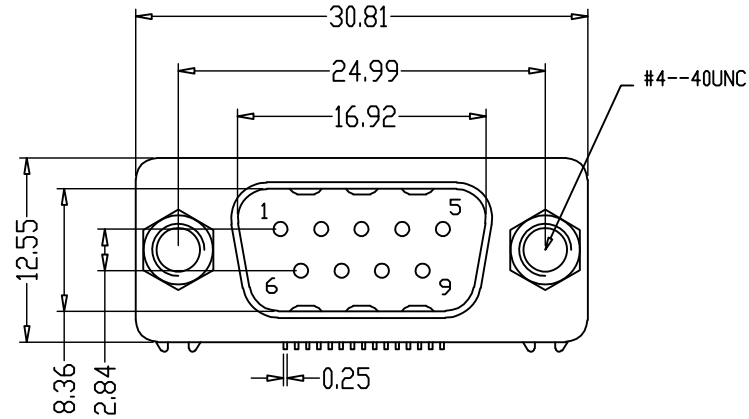


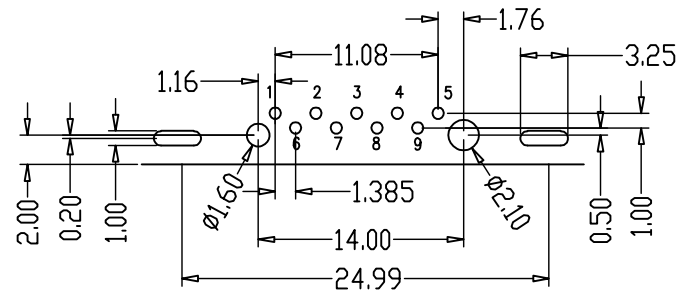
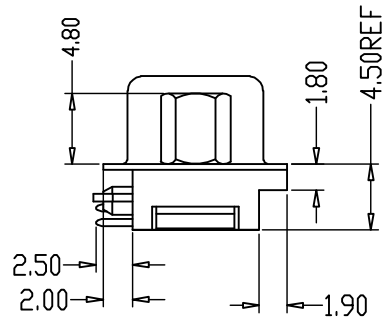
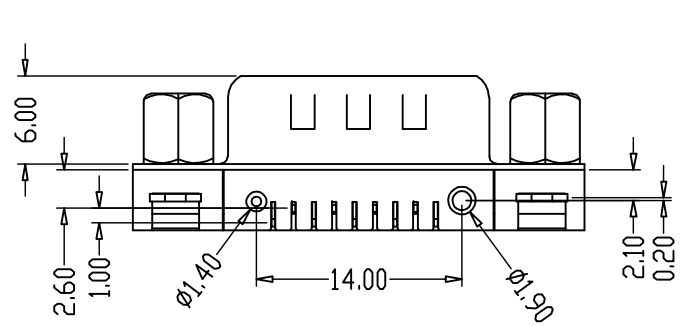
RoHS GP HF

MARK	ECN NO.	DESCRIPTION	DESIGN	DATE
A	---	NEW	---	---

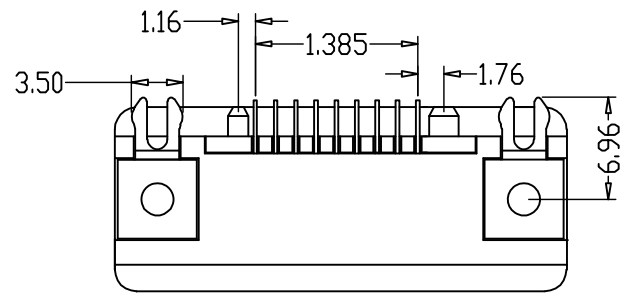


NOTE:

- Material:
Housing: PBT,UL94V-0; Color: Green.
Contact: Copper Alloy.
Shell: SPCC.
- FINISH:
Contact: Au Plated on Contact Area,
Tin Plated on Solder Tails,
Nickel Underplating Over All.
Shell: Nickel plating Over All.
- Specification:
 - 3.1 Electrical:
Contact Current Rating: 3.0A
Insulation Resistance: 1000MΩ Min.
Contact Resistance: 30 mΩ Max.
Dielectric Withstanding Voltage: 500V/AC 1Minute.
 - 3.2 Mechanical:
Mating Force: 5.0Kgf Max.
Unmating Force: 1.5Kgf Min.



PCB LAYOUT



Tolerance X.X ±0.30 X.XX ±0.25 X.XXX ±0.15 Angle ±2.0°	Model Name: DR 9公超薄弹针4.75*4.8*8.6铁线丝 灰板 带固定柱 PBT绿色 端子半金锡。				Drawing: DENGJU	
	Model No: WLDR-082C				Checked: YAOSHIXUAN	
	UNIT:	SCALE:	REVISION:	SHEET	Approved: WUHUAMING	
	mm	FULL	A	1/1	Date: 2016.03.18	
深圳市兴万联电子有限公司 SHENZHEN XINGWANLIAN TECHNOLOGY CO.,LTD		DWG NO.				FILE: C