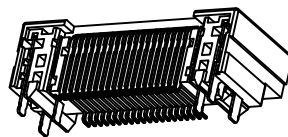
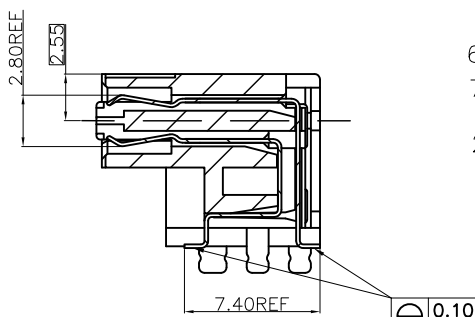
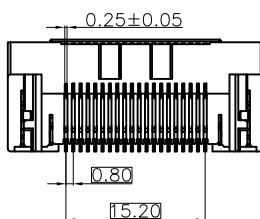
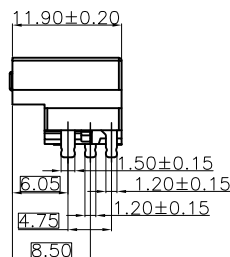
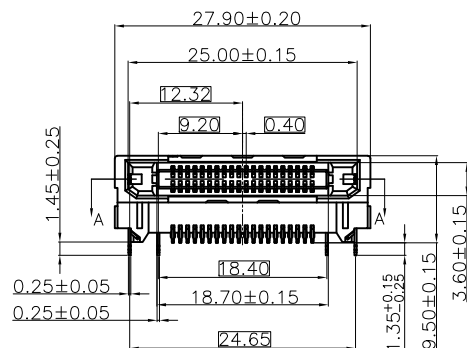
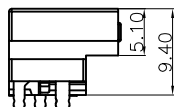
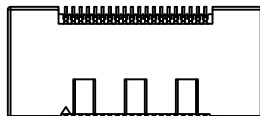


RoHS GP HF

REV.	ECR/N NO.	DESCRIPTION	DRAWN	DATE
A	/	NEW	Li Song	2021/06/24



3D VIEW



SECTION A-A
SCALE:2:1

NOTES:

- MATERIAL SPECIFICATION:
 - HOUSING:HIGH TEMP THERMOPLASTIC UL94-V0 COLOR:BLACK
 - CONTACT:COPPER ALLOY;
 - HOOK:COPPER ALLOY;
- PLATING SPECIFICATION:
 - CONTACT:
 - NICKEL UNDERPLATED;GOLD PLATING ON CONTACT AREA AND GOLD PLATING ON SOLDER AREA;
 - HOOK
 - MIN NICKEL UNDERPLATED,100U MIN MATTE TIN ON SOLDER AREA
 - GOLD PLATING ON CONTACT AREA;
- MECHANICAL PERFORMANCE:
 - DURABILITY:500 CYCLES;
 - MATING FORCE:30N MAX;UN-MATING FORCE:8N MIN
- ENVIRONMENT PERFORMANCE;
 - OPERATING TEMPERATURE:-40°C TO +85°C;
- ELECTRICAL PERFORMANCE:
 - CURRENT RATING:0.5A FOR SIGNAL CONTACT;3A FOR MF CONTACT
 - VOLTAGE:12V DC
 - LLCR:90mΩ MAX(INITIAL);
 - INSULATION RESISTANCE:1000MΩ MIN;
 - DIELECTRIC WITHSTAND VOLTAGE:AC 500V FOR 1 MINUTE;
- RoHS COMPLIANT.
- REFLOW SOLDERING PROCESS
 - RECOMMENDED CONDITION FOR REFLOW SOLDERING: 260±5°C AND IMMERSION DURATION 10±2 SECONDS,

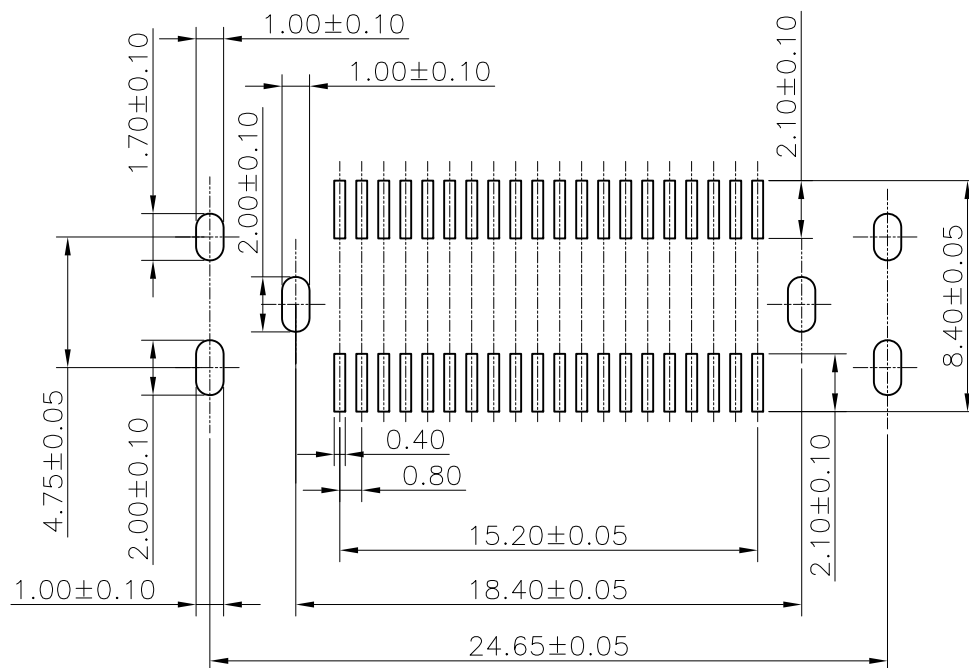
TOLERANCE	MODEL NAME: OPS 40PIN SMT FEMALE TYPE	DRAWN: Li Song
X.X ±0.35	MODEL NO: SEE TABLE	CHECKED: Youhua Cai
X.XX ±0.25	UNIT: mm	APPROVED: Youhua Cai
X.XXX ±0.10	SCALE: 1:1	DATE: 2021/06/24
ANGLE ±1.0°	REVISION: A	DWG NO: C-WLPS-40P01
	SHEET: 1/3	FILE:
	深圳市兴万联电子有限公司 SHENZHEN XING WAN LIAN ELECTRONICS CO.,LTD.	

RoHS GP HF

REV.	ECR/N NO.	DESCRIPTION	DRAWN	DATE
A	/	NEW	Li Song	2021/06/24

TABLE

NO.	PART NO.	SPECIFICATION	HSF COMPLIANT
1	WLPS-020A	HOUSING_PA10T BLACK UL94-V0,C5210 Au5u+G/F Ni50u,H00K_COPPER ALLOY MATTE TIN AND GOLD PLATING.	ROHS COMPLIANT
2	WLPS-021A	HOUSING_PA10T BLACK UL94-V0,C7025 Au15u+G/F Ni50u,H00K_COPPER ALLOY MATTE TIN AND GOLD PLATING.	ROHS COMPLIANT



RECOMMENDED PCB LAYOUT

PCB THICKNESS:T=1.60MM DEFAULT TOLERANCE ±0.05

TOLERANCE	MODEL NAME: OPS 40PIN SMT FEMALE TYPE	DRAWN: Li Song
X.X ±0.35	MODEL NO: SEE TABLE	CHECKED: Youhua Cai
X.XX ±0.25	UNIT: mm	APPROVED: Youhua Cai
X.XXX ±0.10	SCALE: 1:1	DATE: 2021/06/24
ANGLE ±1.0°	REVISION: A	DWG NO: C-WLPS-40P01
	SHEET: 2/3	FILE:



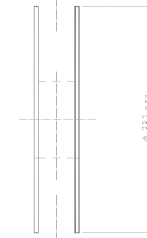
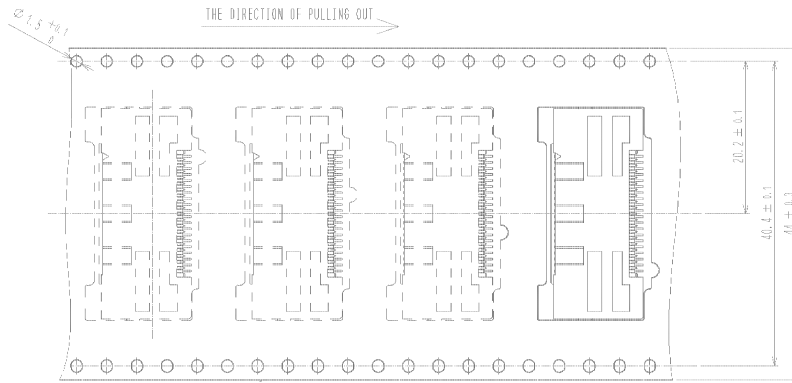
WLCO 深圳市兴万联电子有限公司
SHENZHEN XING WAN LIAN ELECTRONICS CO.,LTD.

RoHS

GP

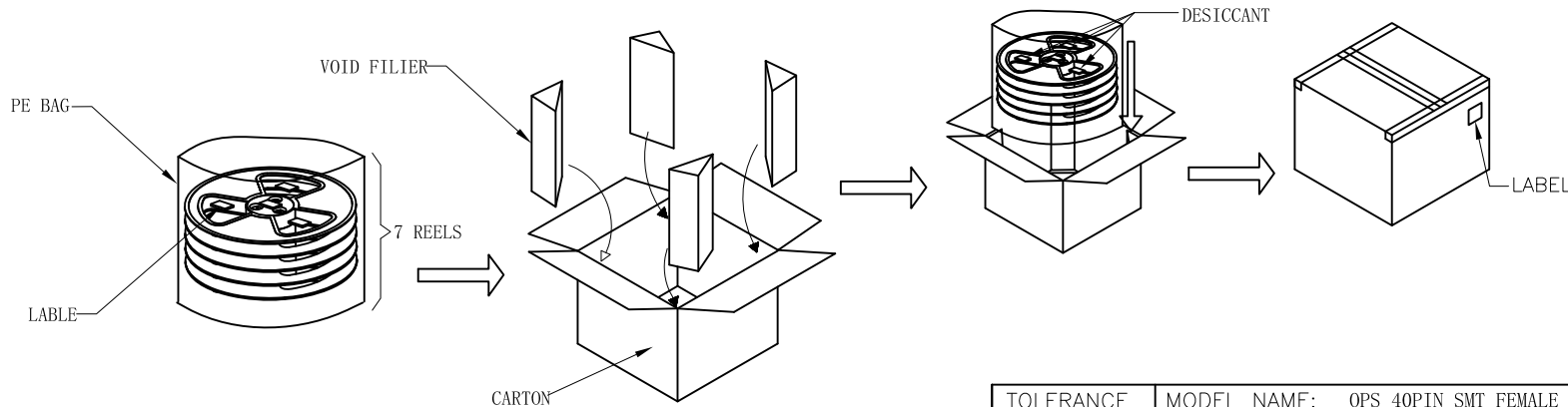
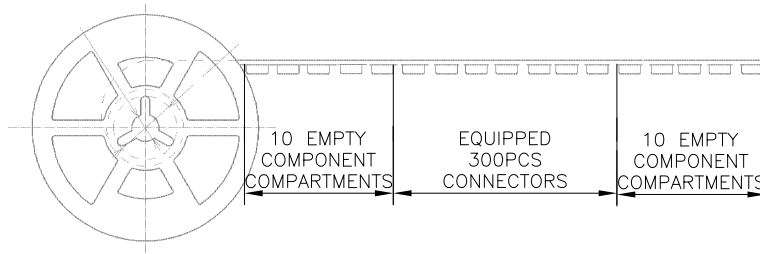
HF

REV.	ECR/N NO.	DESCRIPTION	DRAWN	DATE
A	/	NEW	Li Song	2021/06/24



NOTES :

- MATERIAL :
COVER TAPE : ANTISTATIC P.S
CARRIER TAPE : ANTISTATIC P.S
REEL : PS
CARTON: CORRUGATED FIBER
- DIMENSION :
REEL : SEE DRAWING
SHIPPING BOX: 385X385X350 mm
- QUANTITY : SEE TABLE
- PEELING RESISTANCE : 10gf~130gf
- PEELING SPEED : 300mm/MINUTES



TABLE

300PCS	7PCS	2100PCS
PCS/REEL	REEL/ CARTON	PCS/ CARTON

TOLERANCE	MODEL NAME: OPS 40PIN SMT FEMALE TYPE	DRAWN: Li Song
X.X ±0.35	MODEL NO: SEE TABLE	CHECKED: Youhua Cai
X.XX ±0.25	UNIT:	APPROVED: Youhua Cai
X.XXX ±0.10	SCALE:	DATE: 2021/06/24
ANGLE ±1.0°	mm	1:1
	REVISION:	A
	SHEET	3/3
	WILCO 深圳市兴万联电子有限公司 SHENZHEN XING WAN LIAN ELECTRONICS CO.,LTD.	
	DWG NO: C-WLPS-40P01	FILE: